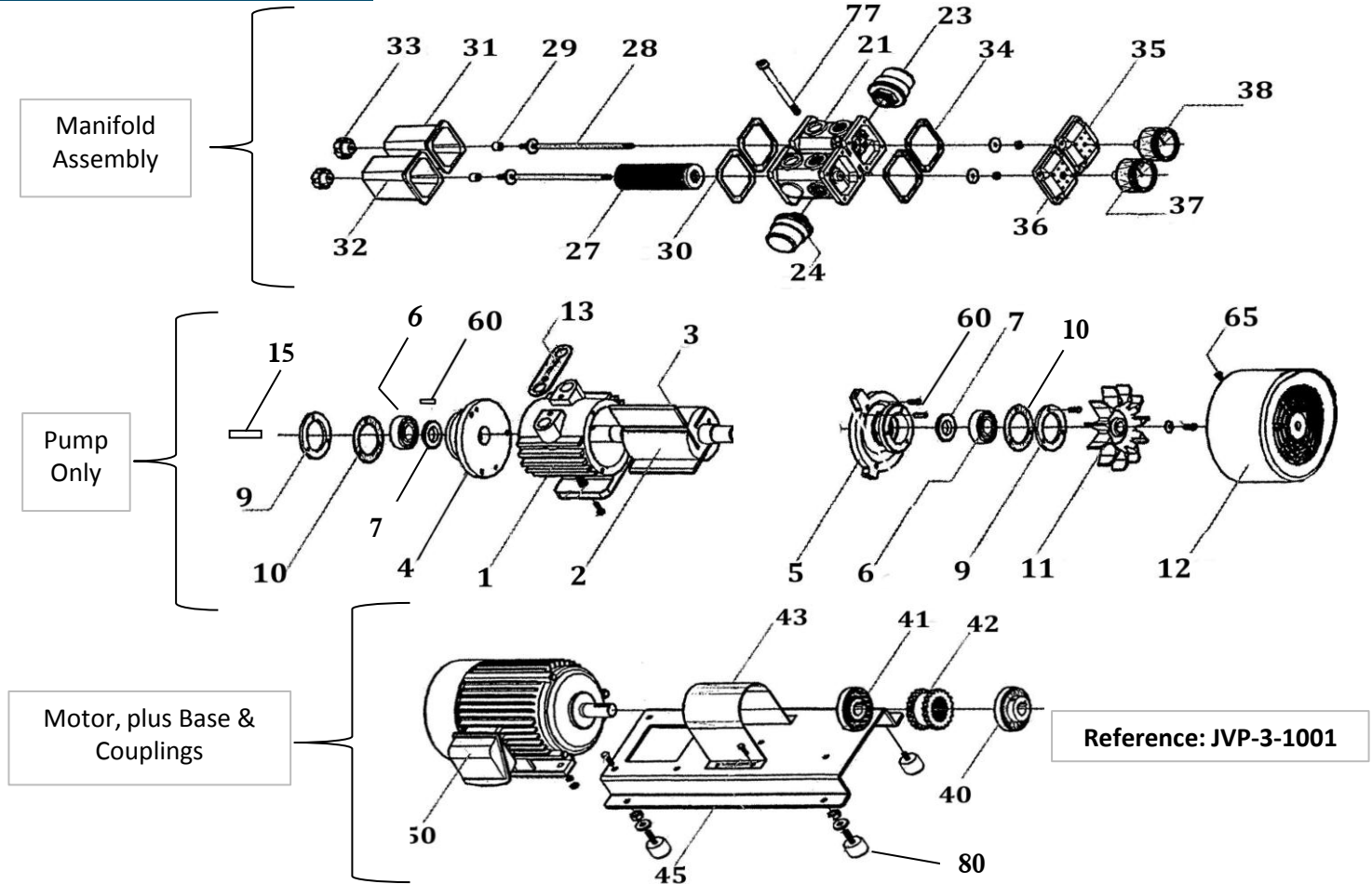


Parts Breakdown for JVP-3 Vacuum Pump



#	Description	Qty	Catalog #
1	Cylinder	1	Call for Part #
2	Rotor	1	Call for Part #
3	*Vane	4	JVP-3-00003
4	Side Plate Motor Side	1	Call for Part #
5	Side Plate Fan Side	1	Call for Part #
6	*Bearing	2	JVP-3-00006
7	*Spacer	2	JVP-3-00007
9	Bearing Cover	2	JVP-3-00009
10	*Shim Paper	10	JVP-3-00010
11	Plastic Fan	1	Call for Part #
12	Fan Cover	1	JVP-3-00012
13	*Manifold Gasket	1	JVP-1001-00013
15	Key	1	JVP-1001-00015
21	Manifold Case Only	1	JVP-1001-00021
	Manifold Complete Assembly	1	
23	Pressure Regulator	1	JVP-1001-00023
24	Vacuum Regulator	1	JVP-1001-00024
26	Delivery Element (Steel)- Not Shown	1	JVP-1001-00026
27	*Filter (Pleated Paper)	1	JVP-1001-00027
28	Filter Rod	2	JVP-1001-00028
Hex Plugs- Not Shown			

#	Description	Qty	Catalog #
29	*Spring Tube	1	JVP-1001-00029V
30	*Rubber Filter Gasket	2	JVP-1001-00030
31	Muffler Cover	1	JVP-1001-00031
32	Filter Cover/Case (Clear)	1	JVP-1001-00032
33	Knob Nut		JVP-1001-00033
	*Washer Gasket for Filter Knob Nut (Not Shown)	2	JVP-1001-00033A
34	Manifold Cap Gasket	2	JVP-1001-00034
35/36	Manifold Cap- Specify tapped for gauge, blow through or solid	2	JVP-1001-00035/36
37/38	Combination Vacuum/Pressure Gauge	1	JVP-ALL-00037/38
40	Pump Side Coupling	1	JVP-3-00040
41	Motor Side Coupling	1	JVP-3-00041
42	*Flexible Coupling	1	JVP-5-00042
43	Coupling Cover	1	JVP-3-00043
45	Base (Steel)	1	JVP-3-00045
50	Motor	1	Call for Part #
60	Pin, Spring- 4 per Pump, 2 per Side	4	JVP-1001-00060
65	Round Head Screw	3	
77	Allen Bolt for Manifold	2	JVP-1001-00077
80	Rubber Feet	4	JVP-ALL-00080
*Included in Rebuild Kit			