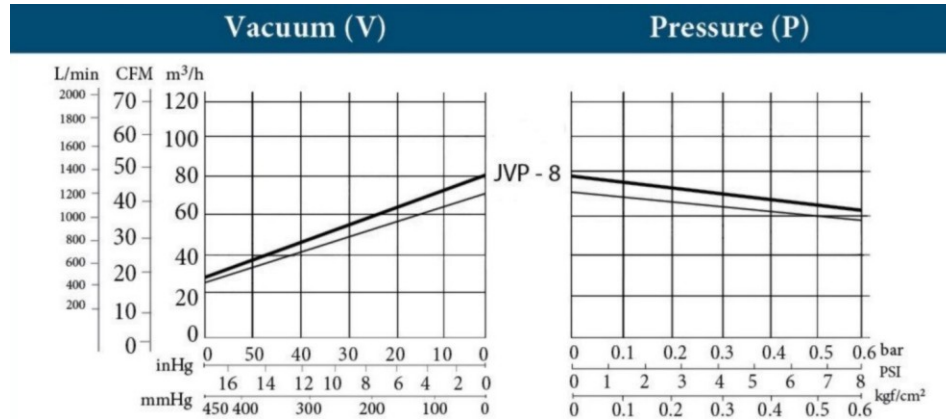


# Jallo's JVP-8 Dry Vacuum Pump

# JALLO

Equipment and Supply, Inc.

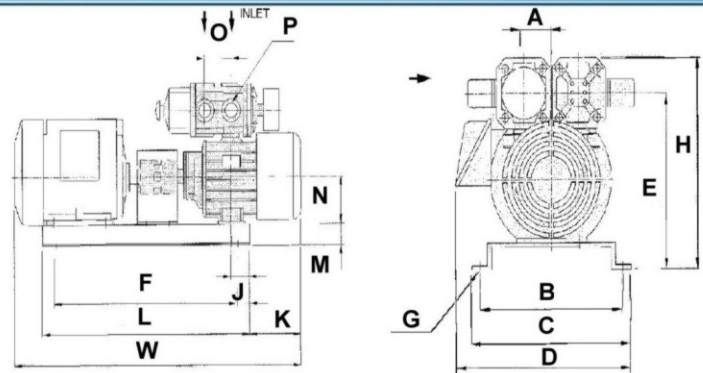
## Performance



## Specifications

Model	Hertz (Hz)	Air flow open OmmHg		Speed (rpm)	Vacuum		Pressure		Suction/Exhaust port diameter	Motor	Weight	
		m <sup>3</sup> / h	CFM		mmHg	inHg	kg/cm <sup>2</sup>	psi			kg	lbs
JVP-8	50	60	35.3	945	635	25	0.6	8.5	Rc1.00 Female NPT	3 phase 2.2kW 6P	95	210.1
	60	69	40.6	1135								

- Vacuum Gauges and Regulators are Standard
  - \*Motors are 3 Phase 208/220/460 60Hz
  - Single Shaft
  - Out Board Bearings - Run Cool to Increase Service Life
- \*Single Phase Available



Dimensions	W	H	A	B	C	D	E	F	G	L	J	K	L-1	M	N	O	P
JVP-8	764	375	60	270	300	354	322	467	4-11	567	50	118	62	60	112	80	Rc1"

Unit of measurement is mm

Special Configurations Available by Request    \*\* N/A Not Applicable, Belt Driven    Dimensions for Reference are subject to change

**JVP Dry Vacuum Pumps are Oil-Free, Environmentally Friendly and require very low maintenance.**  
**JVP pumps can be set-up Combination Vacuum and/or Pressure**